

REPUBLIC OF SOUTH AFRICA



REPUBLIEK VAN SUID AFRIKA

PATENTS ACT, 1978

CERTIFICATE

In accordance with section 44 (1) of the Patents Act, No. 57 of 1978, it is hereby certified that

KROUSE, Wayne F.

has been granted a patent in respect of an invention described and claimed in complete specification deposited at the Patent Office under the number

2006/09238

A copy of the complete specification is annexed, together with the relevant Form P2.

In testimony thereof, the seal of the Patent Office has been affixed at Pretoria with effect

from the **30 July 2008**



.....
Registrar of Patents

REPUBLIC OF SOUTH AFRICA		REGISTER OF PATENTS				PATENTS ACT, 1978	
OFFICIAL APPLICATION NO.		LODGING DATE: PROVISIONAL		ACCEPTANCE DATE			
22	01	2006/05235		22		47	9-5-2008
INTERNATIONAL CLASSIFICATION		LODGING DATE: COMPLETE		GRANTED DATE			
F03B; F16D		6 November 2006		30-7-2008			
FULL NAME(S) OF APPLICANT(S)/PATENTEE(S)							
71							
KROUSE, Wayne F.							
APPLICANTS SUBSTITUTED:						DATE REGISTERED	
71							
ASSIGNEE(S)						DATE REGISTERED	
71							
FULL NAME(S) OF INVENTOR(S)							
72							
KROUSE, Wayne F.							
PRIORITY CLAIMED BY PCT INTERNATIONAL APPLICATION		COUNTRY		NUMBER		DATE	
PCT/US2004/033134 FILED 6 October 2004 (WO 2005/119053)							
N.B. Use International Abbreviation for country (See Schedule 4)		33	US	31	10/851,604	32	21 May 2004
TITLE OF INVENTION							
54							
A machine and system for power generation through movement of water							
ADDRESS OF APPLICANT(S)/PATENTEE(S)							
5350 McCulloch Circle, Houston, TX 77056, U S A							
ADDRESS FOR SERVICE				A & A REF:			
74 ADAMS & ADAMS, Pretoria				156142			
PATENT OF ADDITION TO NO.		DATE OF ANY CHANGE					
61							
FRESH APPLICATION BASED ON		DATE OF ANY CHANGE					

(12) INTERNATIONAL APPLICATION PUBLISHED UNDER THE PATENT COOPERATION TREATY (PCT)

(19) World Intellectual Property
Organization
International Bureau



(43) International Publication Date
15 December 2005 (15.12.2005)

PCT

(10) International Publication Number
WO 2005/119053 A1

(51) International Patent Classification: F03B 13/10,
F16D 31/02

(21) International Application Number:
PCT/US2004/033134

(22) International Filing Date: 6 October 2004 (06.10.2004)

(25) Filing Language: English

(26) Publication Language: English

(30) Priority Data:
10/851,604 21 May 2004 (21.05.2004) US

(71) Applicant and

(72) Inventor: KROUSSE, Wayne, F. [US/US]; 5350 McCulloch Circle, Houston, TX 77056 (US).

(74) Agent: PETRUZZI, James, D.; Mason & Petruzzi, 4900 Woodway, Suite 745, Houston, TX 77056 (US).

(81) Designated States (unless otherwise indicated, for every kind of national protection available): AE, AG, AL, AM,

AT, AU, AZ, BA, BB, BG, BR, BW, BY, BZ, CA, CH, CN, CO, CR, CU, CZ, DE, DK, DM, DZ, EC, EE, EG, ES, FI, GB, GD, GE, GH, GM, HR, HU, ID, IL, IN, IS, JP, KE, KG, KP, KR, KZ, LC, LK, LR, LS, LT, LU, LV, MA, MD, MG, MK, MN, MW, MX, MZ, NA, NI, NO, NZ, OM, PG, PH, PL, PT, RO, RU, SC, SD, SE, SG, SK, SL, SY, TJ, TM, TN, TR, TT, TZ, UA, UG, US, UZ, VC, VN, YU, ZA, ZM, ZW.

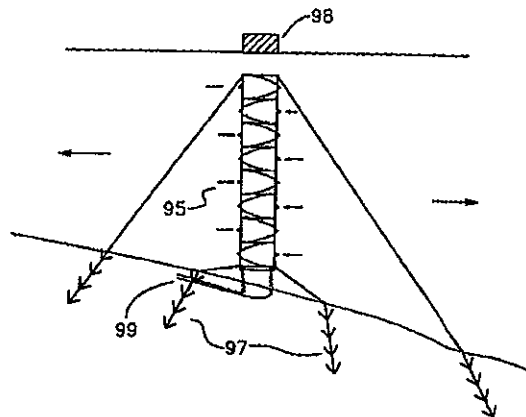
(84) Designated States (unless otherwise indicated, for every kind of regional protection available): ARIPO (BW, GH, GM, KE, LS, MW, MZ, NA, SD, SL, SZ, TZ, UG, ZM, ZW), Eurasian (AM, AZ, BY, KG, KZ, MD, RU, TJ, TM), European (AT, BE, BG, CH, CY, CZ, DE, DK, EE, ES, FI, FR, GB, GR, HU, IE, IT, LU, MC, NL, PL, PT, RO, SE, SI, SK, TR), OAPI (BF, BI, CF, CG, CI, CM, GA, GN, GQ, GW, ML, MR, NE, SN, TD, TG).

Published:

— with international search report

For two-letter codes and other abbreviations, refer to the "Guidance Notes on Codes and Abbreviations" appearing at the beginning of each regular issue of the PCT Gazette.

(54) Title: A MACHINE AND SYSTEM FOR POWER GENERATION THROUGH MOVEMENT OF WATER



(57) Abstract: A machine and system for power generation through movement of water having an array of power generating cells electrically interconnected, where the array is configured in an interchangeable modular fashion and the cells are positioned to receive kinetic energy from the movement of water to generate electricity through the movement of an electrical turbine within each cell. The individual turbines and cells may generate relatively small amounts of electricity and use polymer magnetics in the impellers and windings in the turbine to withstand ocean environments and are stacked on electrically conductive trays for ease of installation and replacement.

WO 2005/119053 A1

PATENT SPECIFICATION

TITLE OF THE INVENTION

A Machine and System for Power Generation through Movement of Water

5

INVENTOR

Wayne F. Krouse of Houston, Texas

CROSS REFERENCE TO RELATED APPLICATIONS

10 The present application is related to and claims priority from the following U.S. patent application:

non-provisional (regular utility) patent application number 10/851,604 titled "A Machine for Power Generation through Movement of Water," filed on May 21, 2004,

15 which is hereby incorporated by reference as if fully set forth herein.

STATEMENT REGARDING FEDERALLY SPONSORED RESEARCH OR DEVELOPMENT

Not applicable.

20 FIELD OF THE INVENTION

This invention relates generally to the field of power generation and more specifically to a machine and system for power generation through movement of water.

25 BACKGROUND OF THE INVENTION

Extraction of energy from water sources has been a desire of humankind for ages. Various methods involve water wheels, entrainment, and hydroelectric turbines. Prior attempts to convert ocean tidal movements or current into power involve large scale systems, the use of traditional 30 generators, and various turbines to capture the power of the water.

The deficiency in the prior art is that the systems are not easily configurable for different settings, require large scale construction and are not

commercially viable. They are not suitable to being moved easily, they are not topographically adaptable, nor do they withstand the corrosive effects of water. Further, the weight needed for a traditional generator having magnets and copper wire inhibits replacement. Moreover, there has been no system
5 using an array of small power cells arranged in parallel to capture the movement of the ocean, rivers, or other current in such a way as to combine relatively small generators into one large power production system.

BRIEF SUMMARY OF THE INVENTION

10 A water driven turbine is used to extract electrical energy from the moving water (wave, current, tidal, or other). A turbine fan will rotate independently in a converging nozzle to extract additional energy from moving water after each independent turbine fan. The fan blades rotate independently inside of a housing. The housing contains windings made of
15 copper or a conductive polymer or other conductive material. Rotating magnetic field produced from a magneto polymer, particulate materials that generate a magnetic field suspended in a homogeneous or heterogeneous polymer or traditional magnetic material such as Fe, Co Ni, Gd, Sn, Nd or ceramics that exhibit magnetic fields generates electrical energy as the
20 independent turbine containing the magnetic material passes by the conductive windings. The magneto polymer differs in that the magnetic characteristic exists at the atomic level as opposed to a particulate mixture suspended in a polymer. The truss structure in the polymer housing is composed of polymer or fiberglass reinforced polymer, carbon composite or
25 nanotube reinforced polymer. The truss structure supports the central shaft of the turbine blade assembly inside of the polymer turbine housing. Electrical energy that is generated in each turbine should be in the range of 0.001 - 5,000 watts (W) but could be as large as 100,000 W per turbine. The electrical energy is transferred from the winding of each turbine and
30 connected in parallel to a power transfer conduit internal to each of the turbine housings composed of copper wire or electrically conductive polymer. The power is transferred from one turbine housing to the next via the internal

conduit until it can be transferred to a collection system for metering and eventual transfer to the grid. If one generator generates between .001-100,000W, then a plurality of generators connected in parallel in a two dimensional array has the potential to generate commercial quantities in the multiple megawatt (MW) range. Since this system is made of polymer, ceramic or nonferrous coated metal, and any potentially magnetic part internal to the turbine does not contact the water directly, it does not corrode, it is light weight, it is portable, it is cheap to manufacture and replace and topographically configurable. Additionally, the array's modular (cellular) design allows for repairs and maintenance of the turbines without taking the entire power generating capacity of the array offline. Realistically, only a fractional amount of power generating capacity would be taken offline at any one time as only individual vertical stacks in the two dimensional array would be taken offline for maintenance of a turbine in that stack.

In accordance with a preferred embodiment of the invention, there is disclosed a machine for power generation through movement of water having an array of power generating cells electrically interconnected, where the array is composed of cells in a interchangeable modular arrangement and the cells are positioned to receive kinetic energy from the movement of water, wherein the cells convert energy by the movement of an electrical turbine within each cell.

In accordance with another preferred embodiment of the invention, there is disclosed a machine for power generation through movement of water having a housing with electrically conductive windings, an impeller displaced within the housing having polymer magnetic elements that create induced electrical energy upon rotation of the impeller within the housing, and blades on the impeller for receiving kinetic energy from water wherein the impeller is motivated by the movement of water across the blades.

In accordance with another preferred embodiment of the invention, there is disclosed a system for power generation through movement of water having a plurality of turbines with magnetic polymer displaced in an impeller of a the turbines, where the impellers are surrounded by electrically

conductive windings displaced in a housing about the impellers, the turbines are arrayed in a modular arrangement and electrically interconnected where the impellers are motivated by the movement of water to generate electricity.

In accordance with another preferred embodiment of the invention, there is disclosed a system for power generation through the movement of water having a plurality of energy cells, each cell individually producing less than 5000 Watts each, a tray for holding said cells in electrical communication through an electrical conduit internal to the polymer with one or more of the cells, the cells are arranged in vertically stacked arrays in the ocean and transverse to the ocean tidal movement, and the arrays are electrically connected to the electrical grid.

BRIEF DESCRIPTION OF THE DRAWINGS

The drawings constitute a part of this specification and include exemplary embodiments to the invention, which may be embodied in various forms. It is to be understood that in some instances various aspects of the invention may be shown exaggerated or enlarged to facilitate an understanding of the invention.

Figure 1 is a graph illustrating average current velocity as a function of water depth in an ocean deepwater zone.

Figure 2 is a graph illustrating water velocity as a function of water depth in an ocean breakwater zone.

Figure 3 is a schematic diagram illustrating an array of power cells for a commercial scale generation site.

Figure 4 is a schematic diagram illustrating a vertical stack of cells in a portion of an array oriented for uni-directional flow in a deepwater zone.

Figure 5 is a schematic diagram illustrating a vertical stack of cells in a portion of an array oriented for bi-directional flow in a deepwater zone.

Figure 6 is a side elevational view of a conical impeller having a plurality of fan blades in a single stage set in a housing for electrical connection in an array.

Figure 7 is a front end elevational view of an impeller with a plurality of blades.

Figure 8 is a schematic diagram illustrating an electricity connection tray for electrically mounting stacks of cells.

5 Figure 9A is a schematic diagram illustrating an array of bi-directional cells oriented orthogonally to the flow of ocean water.

Figure 9B is a schematic diagram illustrating an array of bi-directional cells with anchors and flotation marker and electrical connections.

10 Figures 10A through 10D show several views of a conical turbine generator and an electricity collection tray for creating an array of cells.

Figures 11A and 11B show a side and front/back view of a turbine generator having a plurality of impellers.

Figure 12 show a group of arrays of power generating cells electrically connected to the grid.

15

DETAILED DESCRIPTION OF THE PREFERRED EMBODIMENTS

Detailed descriptions of the preferred embodiment are provided herein. It is to be understood, however, that the present invention may be embodied in various forms. Therefore, specific details disclosed herein are not to be
20 interpreted as limiting, but rather as a representative basis for teaching one skilled in the art to employ the present invention in virtually any appropriately detailed system, structure, or manner.

Turning now to Figure 1, there is shown a graph depicting average or mean current velocity 10 as a function of water depth 12 in the ocean
25 deepwater zone. It is observed that velocity is relatively constant in deepwater zones, between some upper and lower limits, and for certain purposes may be a source of water energy applicable to the present invention. The Gulf Stream in the Atlantic Ocean and Kuroshio Current in the Pacific Ocean provide examples of steady deepwater current that the present
30 invention could utilize to drive a plurality of cells arrayed as further described herein. However, in a deepwater zone, it is difficult to harness the water power and maintain an array of power generating units. In contrast, the water

movement in a breakwater zone, a non electrified reservoir, a river, or aqueduct are more amenable to the advantages and benefits of the current invention.

Figure 2 shows a graph depicting water velocity 20 as a function of water depth 22 in an ocean's breakwater zone. It is observed that as water depth decreases, i.e. as the wave approaches the shore, the velocity of the water increases to dissipate the energy contained in the wave. This provides a ready and renewable source of energy for an array of cells of the type described herein. As will be more fully appreciated below, the presence of shoreline energy capturing systems as shown herein, benefit from this phenomenon to create cheap and reliable energy. This method will work for any accessible moving body of water with fairly constant velocity for a given cross sectional area.

Figure 3 shows an array set 30 that are aligned in a preferred embodiment of the present invention. Array set 30 is comprised of a series of individual arrays 34, which are deployed in the breakwater zone parallel to a beach 32 in an ocean's breakwater zone to receive the movement of tidal water. Such arrays could be aligned transverse to the flow of a river to take advantage of the prevailing current, in a deepwater zone that might benefit from a current movement or in other locations to take advantage of localized current. Each array 34 is a series of stacked energy cells that are driven individually by the movement of water through energy cells that are stacked together in some fashion. The cells are interconnected through an electricity connection tray (see fig. 8) so that each array set 30 generates a summing of electrical energy from the energy cells. The array set 30 is then eventually connected to the power grid.

Figure 4 shows a side view of a single stack 40 of energy cells 42 in a larger array as depicted in Figure 3. Figure 4 shows a single stack 40 of energy cells 42 for reception of unidirectional water flow in a deepwater zone or river, or even a breakwater zone. As water flows across the energy cells shown by left pointing arrows 44, energy cells 42 receive kinetic energy which in turn generates power. The individual energy cells 42 are stacked and

electrically interconnected at positive and negative poles 46 to generate power that is transmitted over lines 49 to an inverter or the power grid. Each individual energy cell 42 may produce a small amount of energy but stacks 40 of energy cells 42 connected in parallel produce substantial energy. Stack 40
5 may be moored at anchor 48 in the ocean floor by conventional means well known in the art. The arrays thus arranged are flexible and float in the water while at the same time presenting themselves transverse to the water flow for maximum power generation.

A significant advantage of the modularization of the power array is the
10 use of small power devices which in a preferred embodiment may have power outputs on the order of 0.001-5000W. This permits the use of devices that may be significantly smaller than typical power generating turbines on the scale of 0.001 in³ to 50,000 in³.

By using such small devices, the creation of a large array is greatly
15 facilitated and permits the ready exchange of non-functioning devices without affecting the power generation for any period of time. Such miniaturization of the power generating devices may be termed a micro-generator or micro-device. The combination of a multiple devices into an array has an output when summed that is equal to a much larger single generator.

20 Figure 5 shows a single stack 50 of energy cells 52 for maximum reception of the bi-directional water flow in a breakwater zone. As water flows across the energy cells 52 shown by the left and right pointing arrows 54, energy cells 52 receive kinetic energy which in turn generates power. Water flow may be through tidal action having the ebb and flow in two directions
25 thereby activating cells designed and positioned to benefit from both directions of water movement. Figure 5 shows a side view of one stack 50 of cells 52 in a larger array as depicted in Figure 3 with the cells electrically interconnected by positive and negative poles 56 in similar fashion as described in Figure 4.

30 Figure 6 show a side view of a single cell impeller 60 having a plurality of fins (see fig. 7) for converting kinetic energy into electrical energy. The individual cell is configured for electrical connections 64 to other cells in

parallel fashion creating a cumulative power generation. The impeller 60 (or turbine) is situated in a housing that is properly configured to generate electricity. The housing has a cross brace (depicted in fig. 7) for added stability. The generator is created by having magnets or magnetic material positioned in the housing for the blades and positioning windings in the housing surrounding the impeller 60. As the impeller 60 is turned by the action of the water, an electromagnetic force is created imparting current on the windings and in turn generating electricity. By configuring the cells in parallel electrical connections, the small amount of energy generated by an individual cell are added together to produce a larger amount of electrical energy.

In a preferred embodiment using conventional polymer fabrication means well known in the art, turbines and housings may be manufactured where magnetic polymers or magneto polymers are used to replace standard magnets and copper windings. The amount of magnetic polymer or magneto polymer used and its proper location are a function of the degree of magnetic attraction desired for the particular application. Magnetic forces and conductivity sufficient to generate the wattages desired herein are achievable using such materials and result in a generator that is lightweight and impermeable to the corrosive forces of water.

A single turbine may be fitted with independent blade rings 66 to allow extraction of maximum work along the longitudinal axis and the turbine may be tapered along its outer circumference 68 to increase velocity of flow due to the constricting of the nozzle in the turbine.

Figure 7 shows an end view of a single turbine housing 70 and impeller 72 with a plurality of fan blades 74, beneficial for capturing the maximum amount of energy from the movement of water. Cross brace 76 provides added stability.

Figure 8 shows an electricity connection tray 80 for affixing multiple cell stacks to create the larger arrays shown in Figure 3. Tray 80 has electrical post channels positive 82 and negative 84 for making electrical connection to the stack of cells. Each group of vertically stacked cells is placed on a tray.

First vertical stack 85, Second vertical stack 86 and N vertical stack 88 is placed one next to the other in electrical parallel connections 82 and 84 and in turn, the adjoining stacks of cells are electrically interconnected through the stacking base. As can readily be seen, tray 80 may accommodate a plurality of vertical stacks all electrically interconnected. Thus, any number of vertical stacks may be arrayed in this fashion and each stack may be of any of a number of cells as desired for the particular application. Such a polymer transfer plate may be mounted on the top of a plurality of cells for additional stacking, to provide electrical interconnection and thus permit transfer of power from an array to a rectifier/inverter and then to a grid. This arrangement permits ready installation and ease of repair.

Figure 9A shows a perspective view of cell array 92 having a plurality of cells aligned to either to receive the flow of water from the ocean side 94 or to receive the flow of water from the beach side 95. By arranging the cells in this fashion, individual cells are positioned to maximally convert the kinetic energy from the ebb and flow of the water. In this embodiment a particular cell is aligned either in one direction or the other and its power generating turbine spins optimally when receiving the direction of flow for which it was designed.

Figure 9B shows a side view of an overall arrangement of cells for receiving bi-directional flow in a stack of cells that are electrically interconnected as herein described. The stacks are preferably mounted on sturdy but lightweight housings 95 to resist the flow of ocean water and maintain stability in inclement weather. The array of cells may be affixed to the ocean floor by anchor 97 to provide greater stability. A floatation device 98 may be employed for orientation and location purposes. The cells are preferably mounted on stack trays to create an array and then are electrically summed through the operation of the electrical connection to generate power which is transmitted onward. The accumulated energy produced from the array of cells may be conveyed through conventional wire 99 means to a grid, through superconducting cable, or other electrical conveyance means well known in the art.

Figures 10A, 10B, 10C, and 10D show views of a conical turbine generator having central shaft 100 and disposed about the shaft are a plurality of impeller blades in multiple stages such as stage 102. In certain embodiments, it may be preferable to have a single stage. The impeller housing has magnets 104 inserted therein or magnetic polymer imbedded in the housing. The exterior housing 108 of the turbine has terminal pass through electrical connectors 106 and a rigid support 107, which allows for stacking of individual units. Figure 10D also shows an electricity collection tray 111 for creating an array of cells. The tray has electrical connections through copper wire or conductive polymer 109.

An innovative construction of the turbines is achieved by the use of polymers for use in polymer molds for mass production of each individual turbine. The magnetic elements of the turbine will have embedded in the turbine one of a variety of materials among them ferrous, ceramic, or magnetic polymer (magneto polymer rare earth magnets (NdFeB) types. The use of electrically conductive polymer for cathode and anode within embedded transmission system in device and device array reduces weight and makes the manufacture of small turbines efficient and economical. Further, the use of such turbines will create zero production of CO₂, CO, NO_x, SO_x, or ozone precursors during power generation. The impeller design shown in figure 10 is engineered in polymer to extract maximum work in tandem use with a converging housing or nozzle.

Use of polymers for corrosion resistance, low cost manufacturing, mass production and use of polymers for impeller blades or for multiple but independent impellers. The use of polymers for use in polymer molds for mass production and the use of the following magnet types in a polymer generator for use in generating power from the ocean: ferrous, ceramic, magnetic polymer (magneto polymer rare earth magnets (NdFeB) types. Further the use of electrically conductive polymer for cathode and anode within embedded transmission system in device and device array;

Figures 11A and 11B show a side and front/back view of a turbine generator having a plurality of impellers in several stages. In certain

embodiments, it may be preferable to have a single stage to extract energy. The turbine is housed in an electrically interconnectable base 111 to allow for stacking of multiple cells in a vertical fashion and as part of a larger array. The cross brace 112 provides added support. Copper wire windings or
5 conductive polymer windings would be configured about the impeller to produce current when magnets or magnetic material imbedded in the impeller housing spin with the turbine impeller producing magnetic flux.

Figure 12 show a group of arrays 120 of power generating cells electrically connected to the grid 122. The arrays are aligned at right angles
10 to the flow of ocean tide and are electrically connected in parallel. Floats 124 are provided at the top of the arrays for alignment, location, and tracking purposes. In a preferred embodiment the arrays are located near the breakwater point to capture the maximum amount of energy near the shore.

While the invention has been described in connection with a preferred
15 embodiment, it is not intended to limit the scope of the invention to the particular form set forth, but on the contrary, it is intended to cover such alternatives, modifications, and equivalents as may be included within the spirit and scope of the invention.

CLAIMS

I claim:

- 5 1. A machine for power generation through movement of water
comprising:
 an array of power generating cells electrically interconnected;
 said array composed of said cells in a interchangeable modular
arrangement;
10 said cells are positioned to receive kinetic energy from the
movement of water, wherein said cells convert said energy by the movement
of an electrical turbine within each cell.
2. A machine for power generation through movement of water as
15 claimed in claim 1 wherein said turbine has displaced in its impeller magnetic
polymer.
3. A machine for power generation through movement of water as
claimed in claim 1 wherein said cells are electrically interconnected to the
20 electrical grid through a tray capable of holding a plurality of cells
4. A machine for power generation through movement of water as
claimed in claim 3 further comprising cells deployed in opposite orientations
to receive movement of water from two directions.
- 25 5. A machine for power generation as claimed in claim 1 wherein said
cells produce less than 5000 watts individually.
6. A machine for power generation through movement of water
30 comprising:
 a housing having electrically conductive windings;

~~SUPERSEDED~~

an impeller displaced within said housing having polymer magnetic elements that create induced electrical energy upon rotation of said impeller within said housing; and

blades on said impeller for receiving kinetic energy from water wherein
5 said impeller is motivated by the movement of water across said blades.

7. A machine for power generation through movement of water as claimed in claim 6 wherein said windings comprise electrically conductive polymer embedded within said housing.

10

8. A system for power generation through movement of water comprising:

a plurality of turbines having magnetic polymer displaced in an impeller of a said turbines;

15

said impellers surrounded by electrically conductive windings displaced in a housing about said impellers;

said turbines arrayed in a modular arrangement and electrically interconnected;

20

wherein said impellers are motivated by the movement of water to generate electricity.

9. A system for power generation through movement of water as claimed in claim 8 wherein said magnetic polymer is a polymer.

25

10. A system for power generation through movement of water as claimed in claim 8 wherein said impeller has a plurality of rotating blades in at least one stage.

11. A system for power generation through movement of water as
30 claimed in claim 8 further comprising a transfer plate upon which said cells are electrically interconnected and through which transfer electrical power.

SUMMARY

12. A system for power generation through the movement of water comprising:
- a plurality of energy cells individually producing less than 5000 Watts each;
 - 5 a tray for holding said cells in electrical communication with one or more of said cells;
 - said cells arranged in vertically stacked arrays in the ocean and transverse to the ocean tidal movement;
 - wherein said arrays are electrically connected to the electrical
 - 10 grid.
13. A system for power generation through the movement of water wherein said arrays are moored to the ocean floor.
- 15 14. A system for power generation through the movement of water further comprising floats attached to said arrays to maintain a vertical alignment in the ocean.

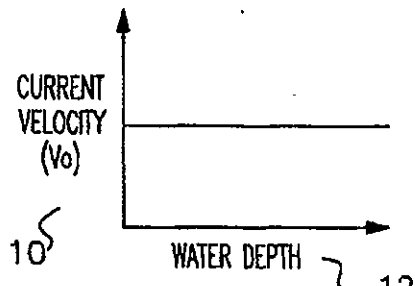


Fig. 1

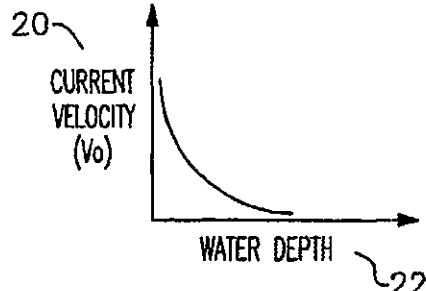


Fig. 2

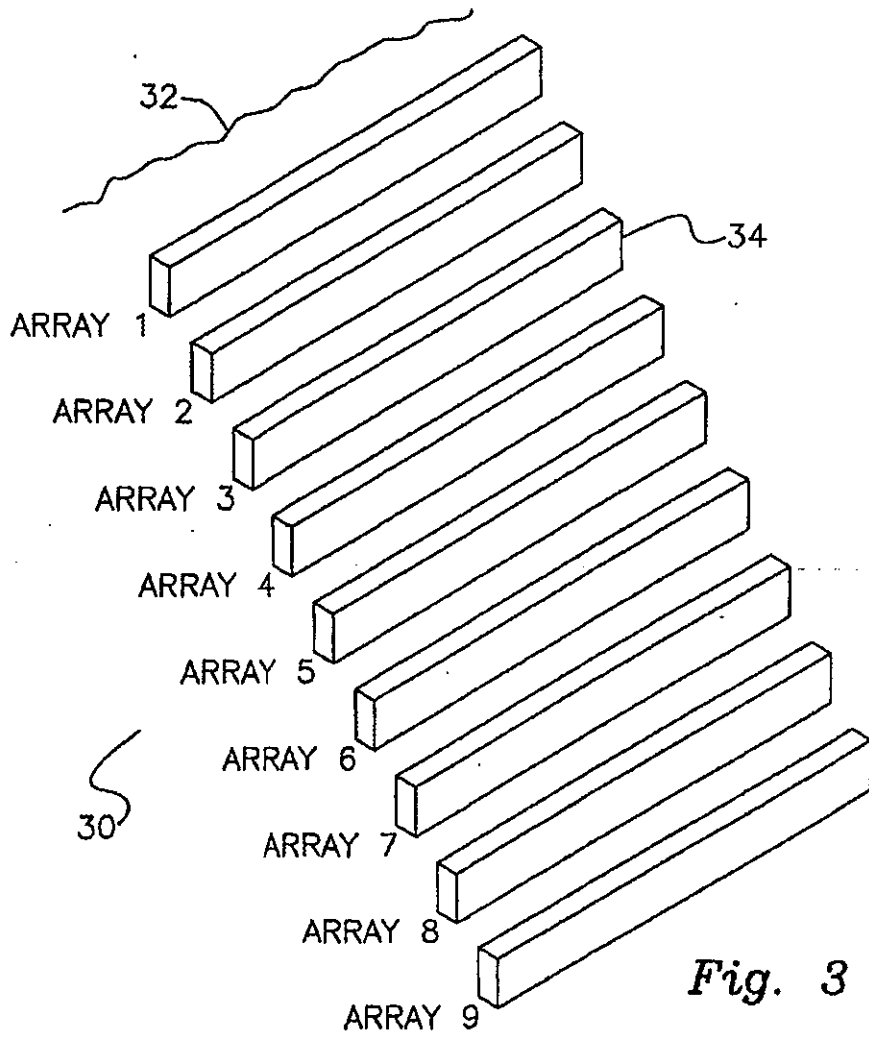
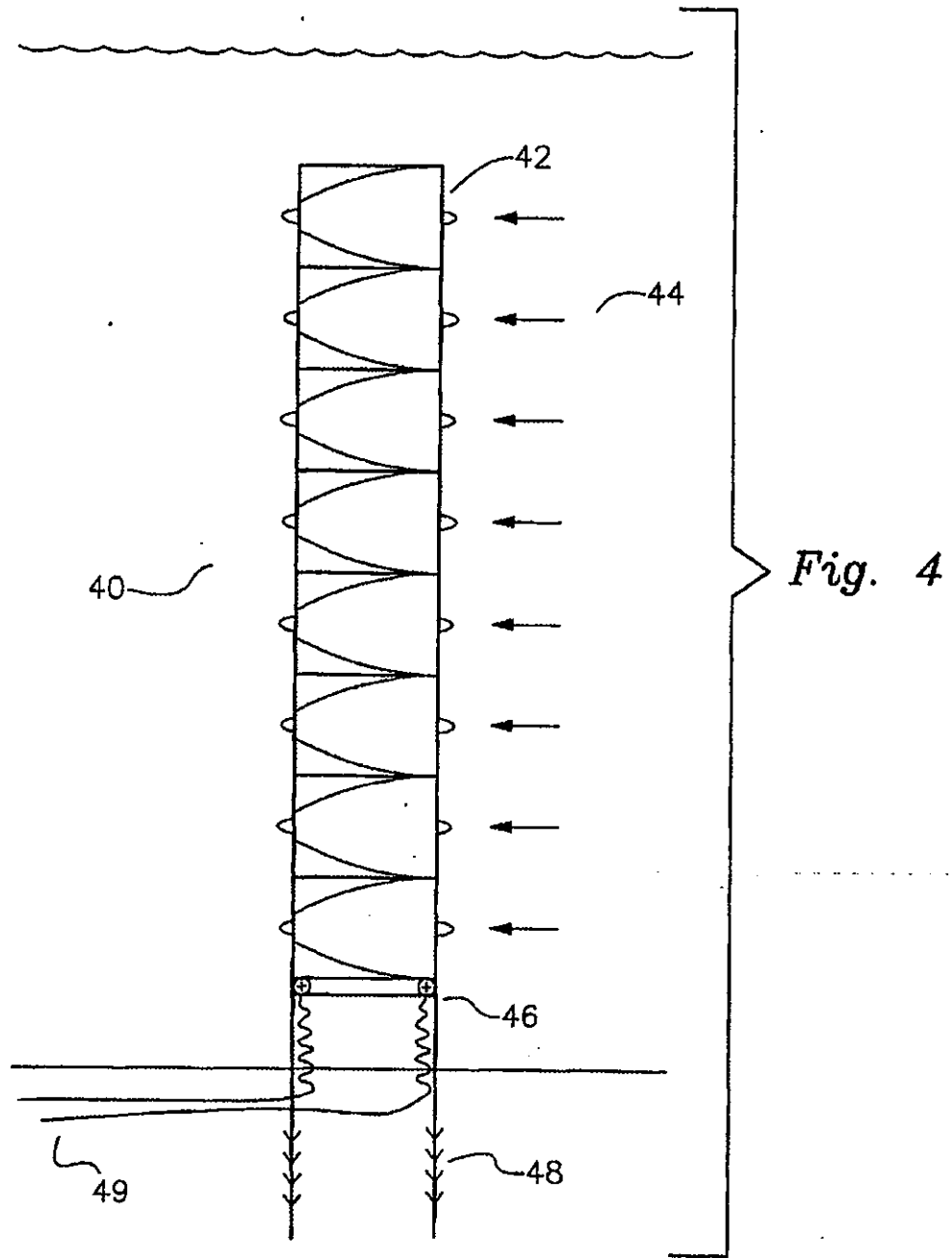
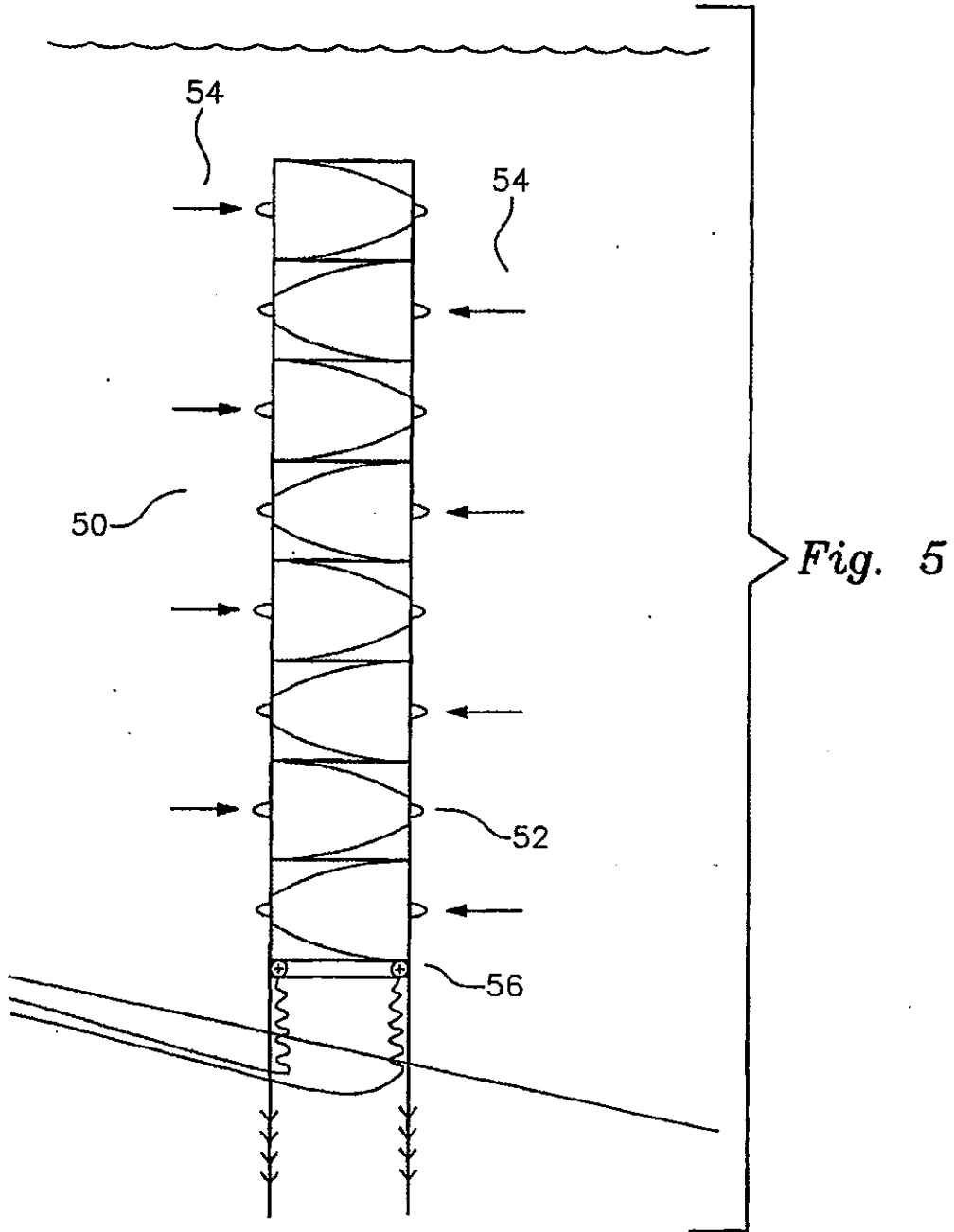


Fig. 3





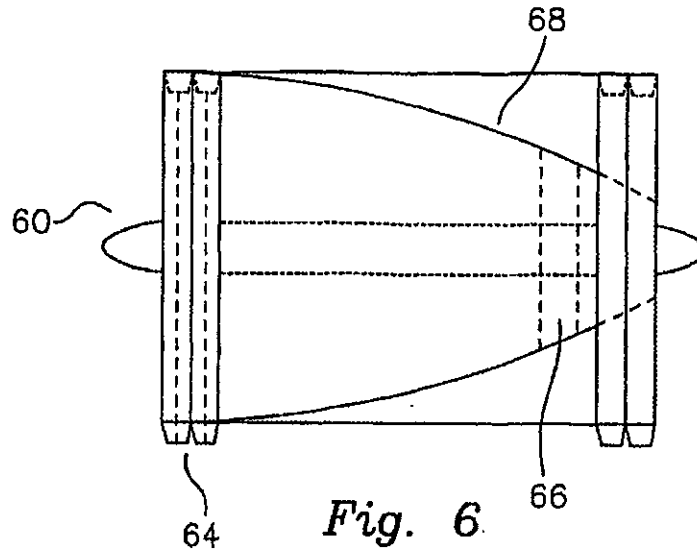


Fig. 6

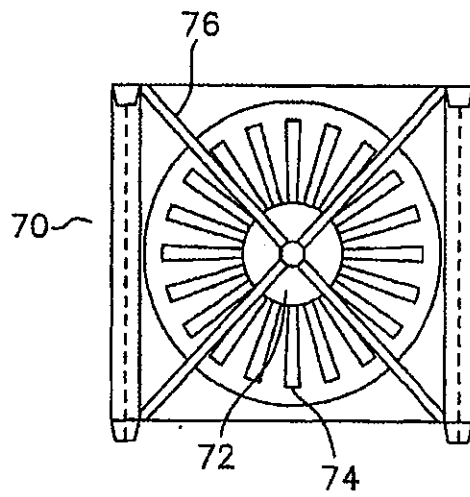


Fig. 7

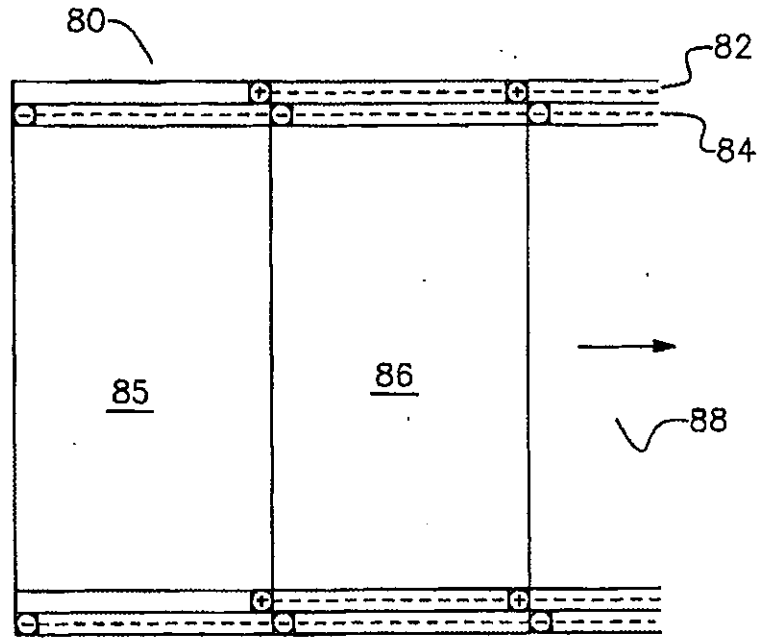


Fig. 8

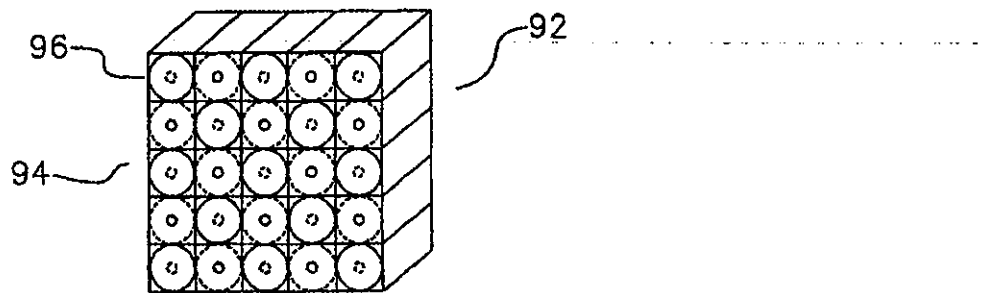


Fig. 9A

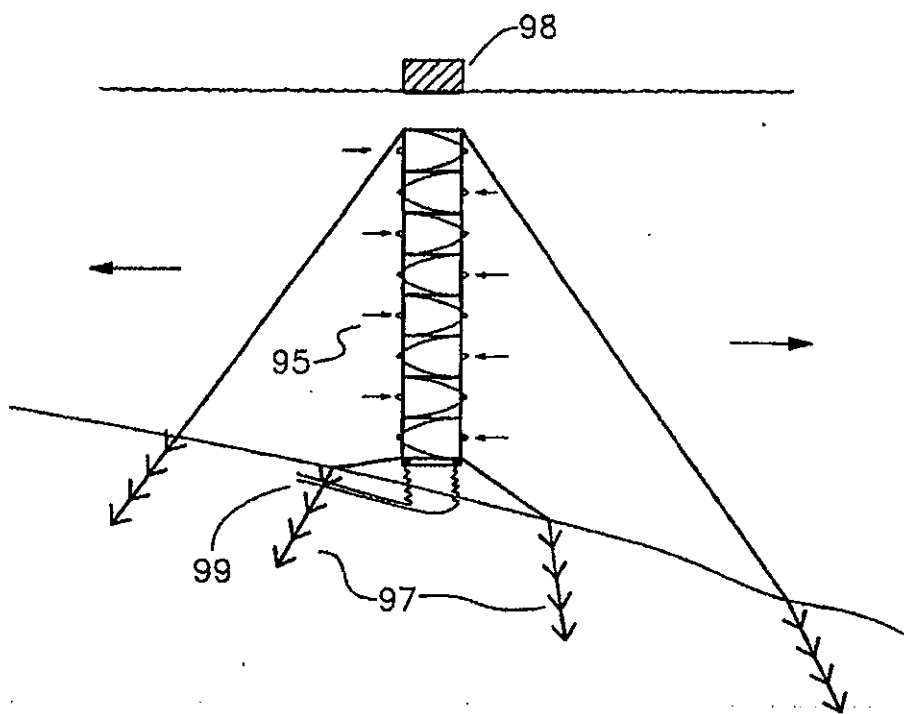


Fig. 9B

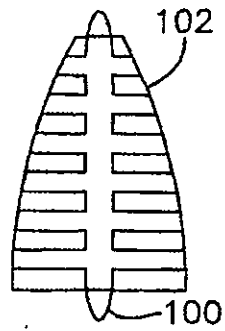


Fig. 10A

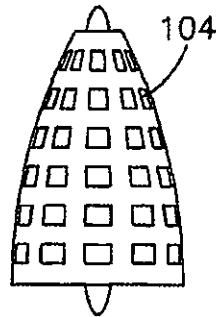


Fig. 10B

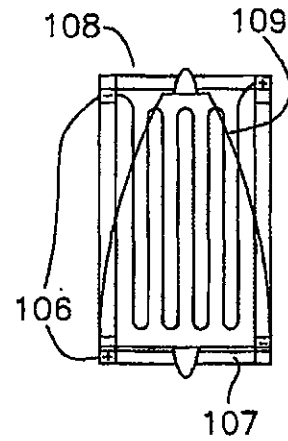


Fig. 10C

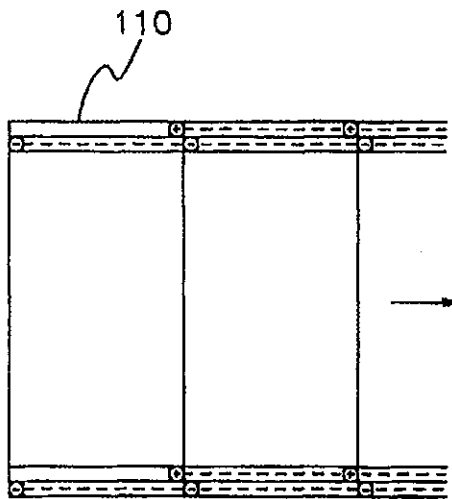
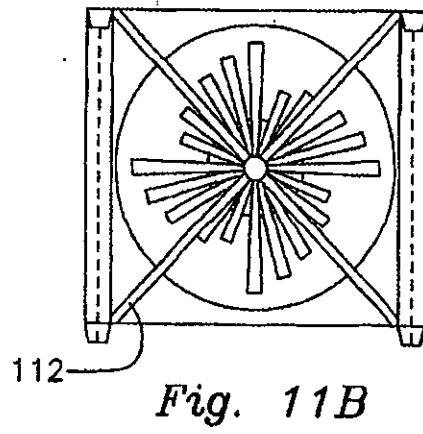
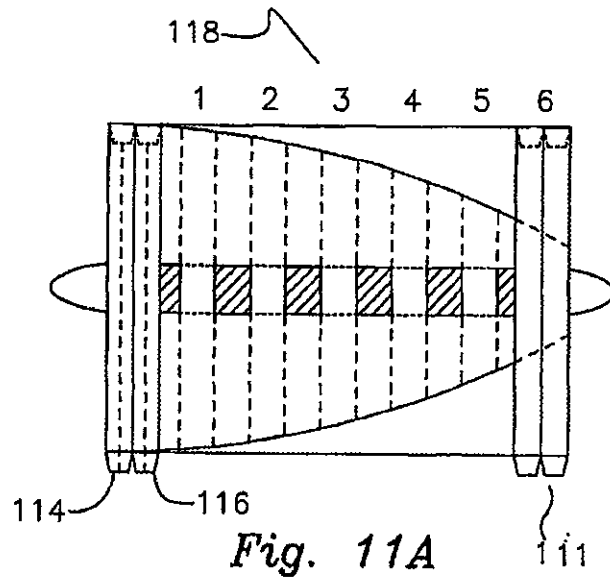


Fig. 10D



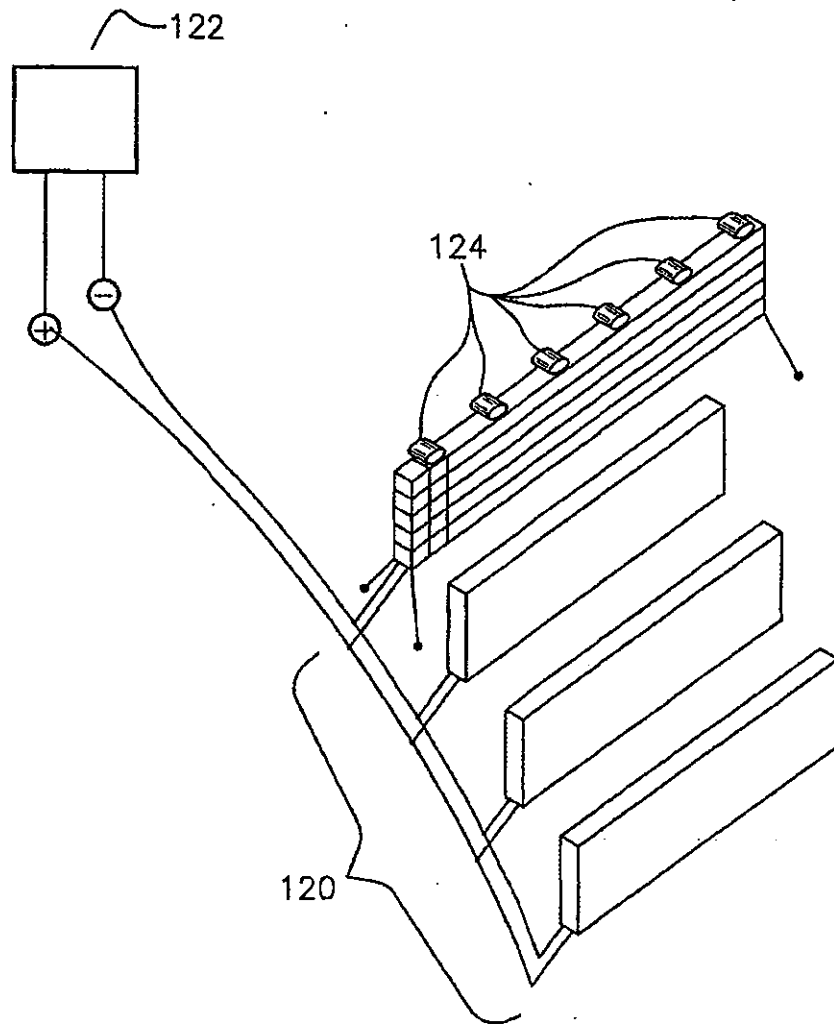


Fig. 12

INTERNATIONAL SEARCH REPORT

International application No.

PCT/US04/33134

A. CLASSIFICATION OF SUBJECT MATTER
 IPC(7) : F03B 13/10; F16D 31/02
 US CL : 60/398; 290/43,54; 415/7,906; 416/DIG.4
 According to International Patent Classification (IPC) or to both national classification and IPC

B. FIELDS SEARCHED

Minimum documentation searched (classification system followed by classification symbols)
 U.S. : 60/398,495,641.7; 290/42,43,53,54; 415/3.1,7,906; 416/DIG.4

Documentation searched other than minimum documentation to the extent that such documents are included in the fields searched

Electronic data base consulted during the international search (name of data base and, where practicable, search terms used)
 PLUS; EAST

C. DOCUMENTS CONSIDERED TO BE RELEVANT

Category *	Citation of document, with indication, where appropriate, of the relevant passages	Relevant to claim No.
X	US 5440176 A (Haining) 08 August 1995 (08.08.1995), Fig. 1.	1,3,13-14
Y		5,12
P	US 2004/0189010 A1 (Tharp) 30 September 2004 (30.09.2004), See entire document.	1-14
A	US 6,531,788 B2 (Robson) 11 March 2003 (11.03.2003), See fig. 6.	1-14
A	US 6,406,251 B1 (Vauthier) 18 June 2002 (18.06.2002), See entire document.	
A	US 4,363,564 A (Borgren) 14 December 1982 (14.12.1982), See entire document.	
A	US 6,417,578 B1 (Chapman et al) 09 July 2002 (09.07.2002), See entire document.	
A	WO 03/029645 A1 (Susman et al) 10 April 2003 (10.04.2003), See entire document.	

Further documents are listed in the continuation of Box C. See patent family annex.

Special categories of cited documents:	
"A" document defining the general state of the art which is not considered to be of particular relevance	"T" later document published after the international filing date or priority date and not in conflict with the application but cited to understand the principle or theory underlying the invention
"E" earlier application or patent published on or after the international filing date	"X" document of particular relevance; the claimed invention cannot be considered novel or cannot be considered to involve an inventive step when the document is taken alone
"L" document which may throw doubts on priority claim(s) or which is cited to establish the publication date of another citation or other special reason (as specified)	"Y" document of particular relevance; the claimed invention cannot be considered to involve an inventive step when the document is combined with one or more other such documents, such combination being obvious to a person skilled in the art
"O" document referring to an oral disclosure, use, exhibition or other means	"&" document member of the same patent family
"P" document published prior to the international filing date but later than the priority date claimed	

Date of the actual completion of the international search: 05 February 2005 (05.02.2005)
 Date of mailing of the international search report: 07 MAR 2005

Name and mailing address of the ISA/US: Mail Stop PCT, Attn: ISA/US, Commissioner for Patents, P.O. Box 1430, Alexandria, Virginia 22313-1450, Facsimile No. (703) 305-3230
 Authorized officer: Sheldon J Richter (Signature: Sharon N. Greene for Sheldon J Richter), Telephone No. (571) 272-3750

CLAIMS:

1. A machine for power generation through movement of water comprising:
an array of power generating cells;
5 said array composed of said cells in an electrically interconnected modular arrangement;
said cells operate independently of each other within said array and are interchangeable with each other in a plurality of positions within said array;
10 said cells are positioned to receive kinetic energy from the movement of water, wherein said cells convert said energy by the movement of an electrical turbine within each cell.
2. A machine for power generation through movement of water as claimed in claim 1 wherein said turbine has displaced in its impeller magnetic polymer.
15
3. A machine for power generation through movement of water as claimed in claim 1 wherein said cells are electrically interconnected to the electrical grid through a tray capable of holding a plurality of cells.
20
4. A machine for power generation through movement of water as claimed in claim 3 further comprising cells deployed in opposite orientations to receive movement of water from two directions.
25
5. A machine for power generation as claimed in claim 1 wherein said cells produce less than 5000 watts individually.
6. A machine for power generation through movement of water comprising:
30 a housing having electrically conductive windings;

AMENDED SHEET

11 JAN 2007

SUPERSEDED

12. A system for power generation through the movement of water comprising:
- a plurality of energy cells individually producing less than 5000 Watts each;
- 5 a tray for holding said cells in electrical communication with one or more of said cells;
- said cells arranged in vertically stacked arrays in the ocean and transverse to the tidal movement;
- said cells operate independently and are interchangeable with each other
- 10 within said array; and
- wherein said arrays are electrically connected to the electrical grid.
13. A system for power generation through the movement of water as claimed in claim 12 wherein said arrays are moored to the ocean floor.
- 15
14. A system for power generation through the movement of water as claimed in claim 12 further comprising floats attached to said arrays to maintain a vertical alignment in the ocean.
- 20
15. A machine as claimed in any one of claims 1 or 6, substantially as herein described with reference to and as illustrated in any of the drawings.
16. A system as claimed in any of claims 8 or 12, substantially as herein described with reference to and as illustrated in any of the drawings.

AMENDED SHEET

9 3 JAN 2007

SUPERIMPOSED

CLAIMS:

1. A machine for power generation through movement of water comprising:
an array of power generating cells;
5 said array composed of said cells in an electrically interconnected modular arrangement;
said cells operate independently of each other within said array and are interchangeable with each other in a plurality of positions within said array;
10 said cells are positioned to receive kinetic energy from the movement of water, wherein said cells convert said energy by the movement of an electrical turbine within each cell.
2. A machine for power generation through movement of water as
15 claimed in claim 1, wherein said turbine has displaced in its impeller magnetic polymer.
3. A machine for power generation through movement of water as
20 claimed in claim 1, wherein said cells are electrically interconnected to the electrical grid through a tray capable of holding a plurality of cells.
4. A machine for power generation through movement of water as
25 claimed in claim 3, further comprising cells deployed in opposite orientations to receive movement of water from two directions.
5. A machine for power generation as claimed in claim 1, wherein
said cells produce less than 5000 Watts individually.
6. A machine for power generation through movement of water
30 comprising:
a housing having electrically conductive windings;
an impeller displaced within said housing having polymer magnetic elements that create induced electrical energy upon rotation of said impeller within said housing; and

AMENDED SHEET

30 JAN 2009

blades on said impeller for receiving kinetic energy from water wherein said impeller is motivated by the movement of water across said blades.

5 7. A machine for power generation through movement of water as claimed in claim 6, wherein said windings comprise electrically conductive polymer embedded within said housing.

8. A system for power generation through movement of water comprising:
10 a plurality of turbines having magnetic polymer displaced in an impeller of a said turbines;
said impellers surrounded by electrically conductive windings displaced in a housing about said impellers;
said turbines arrayed in a modular arrangement and electrically
15 interconnected;
wherein said impellers are motivated by the movement of water to generate electricity.

20 9. A system for power generation through movement of water as claimed in claim 8, wherein said magnetic polymer is a polymer.

25 10. A system for power generation through the movement of water as claimed in claim 8, wherein said impeller has a plurality of rotating blades in at least one stage.

11. A system for power generation through movement of water as claimed in claim 8, further comprising a transfer plate upon which said cells are electrically interconnected and through which transfer electrical power.

30 12. A system for power generation through the movement of water comprising:
a plurality of energy cells individually producing less than 5000 Watts each;
a tray for holding said cells in electrical communication with one or more
35 of said cells;

wherein said cells are arranged in vertically stacked arrays in the ocean and transverse to the ocean tidal movement;

wherein said cells operate independently and are interchangeable with each other within said array; and

5 wherein said arrays are electrically connected to the electrical grid.

13. A system for power generation through the movement of water as claimed in claim 12, wherein said arrays are moored to the ocean floor.

10 14. A system for power generation through the movement of water as claimed in claim 12, further comprising floats attached to said arrays to maintain a vertical alignment in the ocean.

15 15. A machine for power generation through movement of water comprising:

a vertically disposed array of power generating cells positioned orthogonally to the flow of water;

said array composed of said cells in an electrically interconnected modular arrangement;

20 said cells operate independently of each other within said array and are interchangeable with each other in a plurality of positions within said array; and

wherein said cells convert energy by the movement of water against an electrical turbine within each cell.

25 16. A machine for power generation through movement of water as claimed in claim 15, wherein said cells are turbine generators.

30 17. A machine for power generation through movement of water as claimed in claim 15, wherein said cells are electrically interconnected through mating positive and negative poles on said cells.

35 18. A machine for power generation through movement of water as claimed in claim 15, further comprising cells deployed in opposite orientations to receive movement of water from two directions.

19. A machine for power generation as claimed in claim 15, wherein said cells produce less than 5000 Watts individually.

5 20. A machine for power generation through movement of water comprising:
a column of portable power generating cells positioned to receive the flow of water;
said column composed of said cells in an electrically interconnected modular arrangement;
10 said cells operate independently of each other within said column and are interchangeable with each other in a plurality of positions within said column; and
said cells are positioned to receive kinetic energy from the movement of water, wherein said cells convert said energy by the movement of an electrical turbine within each cell.

15 21. A machine for power generation through movement of water as claimed in claim 20, wherein said cells are interconnected through an electrical conduit.

20 22. A system for power generation through movement of water comprising:
a vertically disposed array of power generating cells positioned orthogonally to the flow of water;
said array composed of said cells in an electrically interconnected
25 modular arrangement;
said cells operate independently of each other within said array and are interchangeable with each other in a plurality of positions within said array; and
said cells are positioned to receive kinetic energy from the movement of water, wherein said cells convert said energy by the movement of an electrical
30 turbine within each cell.

23. A system for power generation through movement of water as claimed in claim 22, wherein said array is comprised of a plurality of columns of cells.

35

24. A system for power generation through movement of water as claimed in claim 22, wherein said array is comprised of a series of electrically interconnected columns of cells.

5 25. A system for power generation through movement of water as claimed in claim 22, further comprising a transfer plate upon which said cells are electrically interconnected and through which transfer electrical power.

10 26. A system for power generation through the movement of water comprising:
an array of energy cells individually producing less than 5000 Watts each;
said cells arranged in a plurality of vertically stacked columns tethered to the bottom of a body of water and transverse to the movement of water in said body;
15 said cells operate independently and are interchangeable with each other within said array; and
wherein said array is electrically connected to the electrical grid.

20 27. A system for power generation through the movement of water as claimed in claim 26, wherein said array floats within said body of water.

25 28. A system for power generation through the movement of water as claimed in claim 26, further comprising floats attached to said array to maintain a vertical alignment in the ocean.

29. A machine as claimed in any one of claims 1, 6, 15 or 20, substantially as herein described with reference to and as illustrated in any of the drawings.

30 30. A system as claimed in any of claims 8, 12, 22 or 26, substantially as herein described with reference to and as illustrated in any of the drawings.

AMENDED SHEET

30 JAN 2006